



How to Measure ShuttersUFIT Measuring Guide



When measuring for shutters it is important to be accurate with your measurements. The shutters will be custom built to the sizes you supply and therefore you need to ensure that the measurements are accurate.

It is also important to note that very few window recesses are straight and true, therefore you will nearly always need to account for runoff.

To account for runoff, it is recommended to use a spirit level. Position the spirit level on the windowsill, left hand wall recess, ceiling recess and right-hand wall recess. It would be expected that there is runoff, however If there is a noticeable amount of runoff you may want to adjust your measurements accordingly.



Identify which frame to use

When measuring for shutters it is important to measure as close to the point where the shutter will be installed. For differing types of frames, this could be done in differing locations within/around the recess.



An L frame can be positioned anywhere in or outside the recess. However, it is most within the recess and close to the window.



Z Frame

A Z frame
the
where



is positioned at the edge of
recess and therefore this is
you should measure for it.

Deco Frame

A Deco frame is positioned outside of the recess, on the wall. This frame is typically used if the windows open inwardly, and you need to ensure that they do not catch the frame of the shutter.

Account for window handles

On almost every window you will encounter window handles. It is important to ensure that where you will be positioning the shutter will not result in the louvres catching the window handles.

Dependant on the size of the frame and louvres will determine how much clearance you will need to give between the front of the window handle and the back of the shutter frame. *The most common frame size used is the 60mm frame.*

63mm	10mm	10mm	10mm	10mm
76mm	20mm	10mm	10mm	10mm
89mm	30mm	20mm	10mm	10mm
114mm	40mm	30mm	20mm	10mm

63mm	50mm frame
76mm	60mm frame
89mm	70mm frame
114mm	80mm frame

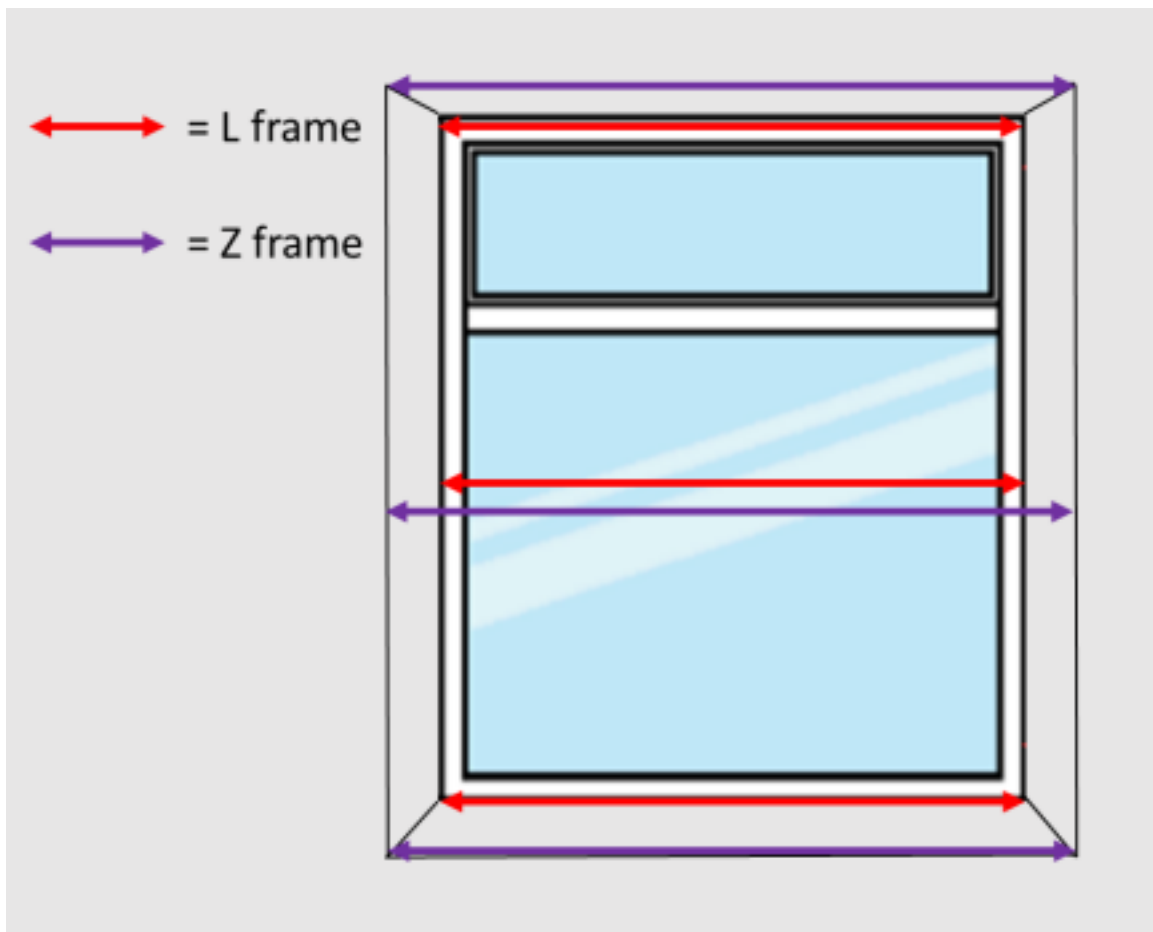
If required, you can use a larger louvre with a shallower frame, however you will need to increase the distance between the front of the window handle and the rear of the frame.

e.g. If using an 89mm louvre with a 60mm frame, add an additional 10mm to the clearance between the window handle and the rear of the frame to account for the frame being 10mm less depth compared to the 70mm frame.

Measure the width for an L or Z frame

Take 3 measurements for width (Bottom, middle & top of recess) from the left side of the window recess to the right side.

If using an L frame and you intend to install the shutter close to the window, measure at the window. If you are intending to use a Z frame, measure at the edge of the recess.



In most cases you will have 3 similar but slightly different width measurements. Identify the smallest measurement and proceed using this figure.

When using an L or Z frame within/on the edge of the recess they key objective is to ensure that the shutter will fit inside the recess. Therefore, we take the smallest width figure we have recorded and make a deduction. Our guidance is to make a 5mm deduction.

Example:

Top width = 923mm

Middle Width = 926mm

Bottom Width = 925mm

Use the smallest figure and make a deduction.

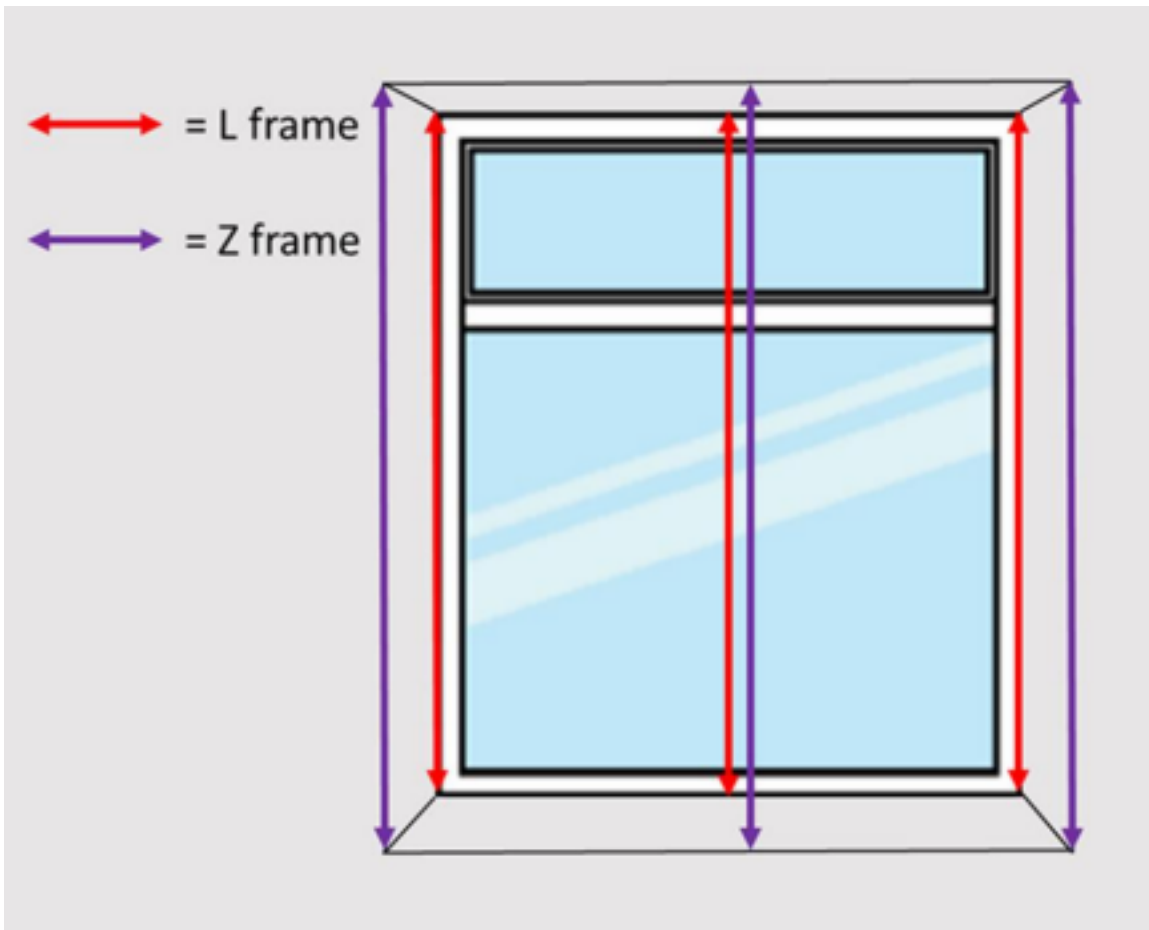
$$923\text{mm} - 5\text{mm} = 918\text{mm}$$

The size we will order the width at is: 918mm.

Measure the height for an L or Z frame

Take 3 measurements for height (Left, centre & right) from the top of the window recess to the bottom.

If using an L frame and you intend to install the shutter close to the window, measure at the window. If you are intending to use a Z frame, measure at the edge of the recess.



As with the width measurements, in most cases you will have 3 similar but slightly different height measurements. Identify the smallest measurement and proceed using this figure.

Example:

Left Height = 1126mm

Centre Height = 1123mm

Right Height = 1124mm

Use the smallest figure and make a deduction.

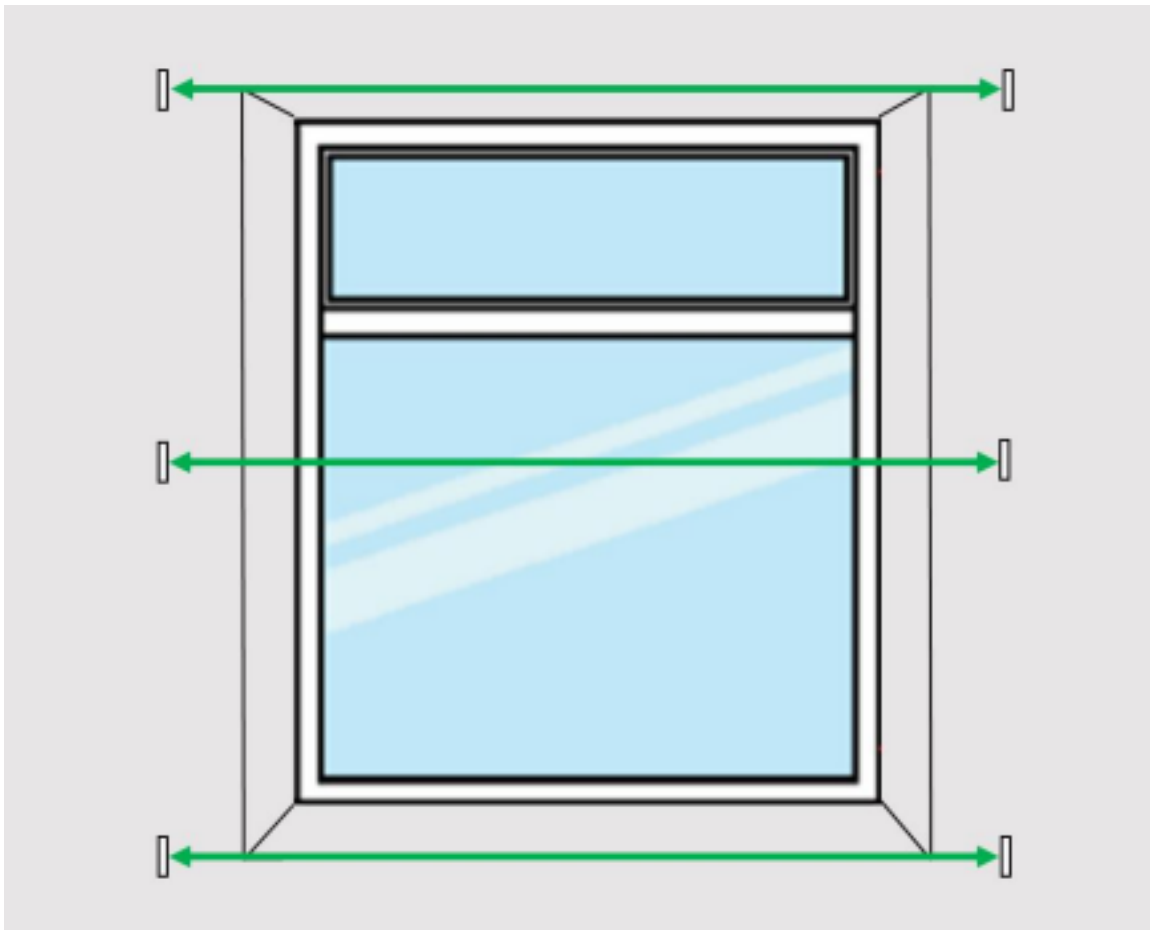
$$1123\text{mm} - 5\text{mm} = 1118\text{mm}$$

The size we will order the height at is: 1118mm. You now have the width and height measurements for the shutter

Measuring outside the recess with a Deco frame or an L Frame

When measuring for an outside of recess shutter, the measurement we need is the outside edge to outside edge of the frames on either side of the window.

Take 3 measurements for width (Bottom, middle & top of recess) from the left side of the window recess to the right side.



In most cases you will have 3 similar but slightly different width measurements. Identify the largest measurement and proceed using this figure.

When using an outside recess shutter, the key consideration is ensuring that it fits beyond the recess and allows you to fit it into a solid section of wall. Therefore, there are no deductions made to the width measurements.

Example:

Top width = 1015mm

Middle Width = 1018mm

Bottom Width = 1016mm

The size we will order the width at is: 1018mm.

Use the largest figure

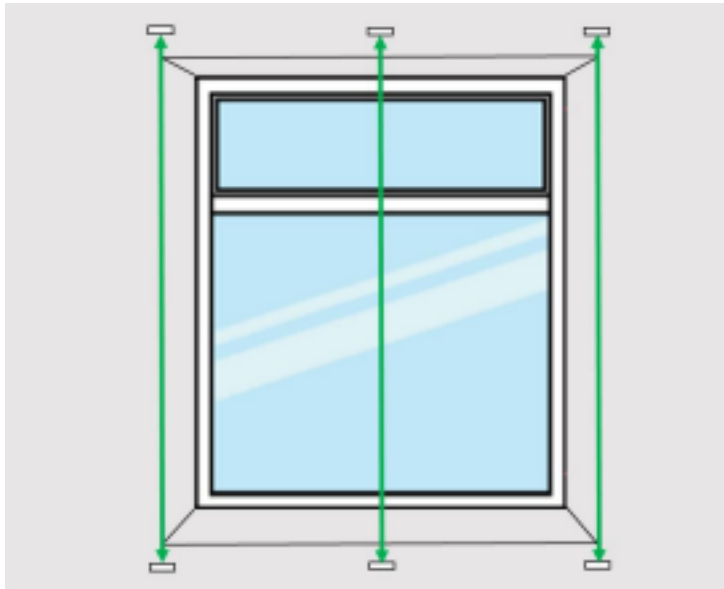
1018mm

Measuring outside the recess with a Deco frame or an L Frame

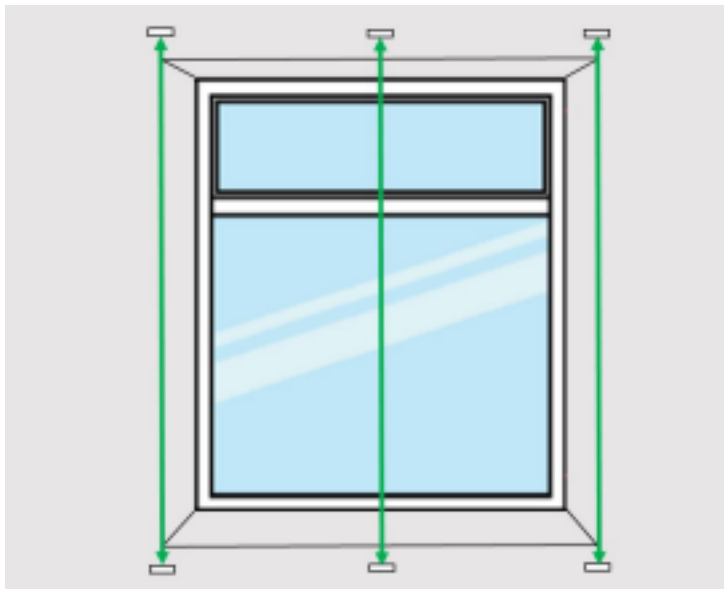
Take 3 measurements for height (Left, centre & right) from the top of the window recess to the bottom.

Dependent on whether there is a windowsill or not will determine where you measure to.

If there is no windowsill, position the frame sample above and below the recess; then mark this position as your reference for measuring.



If there is a windowsill, measure from the mark point above the recess (where the topmost part of the frame will be) down to the windowsill.



Tip

When ordering, with a Deco frame you need to select "Outside" in the "Measurement Type" section of the ordering portal.

If using an L frame for an outside measurement, select "Inside" for the measurement type.

Regardless of whether the window has a windowsill or not, of the three height measurements you have taken use the largest.

Example:

Left Height = 1246mm

Centre Height = 1244mm

Right Height = 1228mm

Use the largest figure.

1123mm

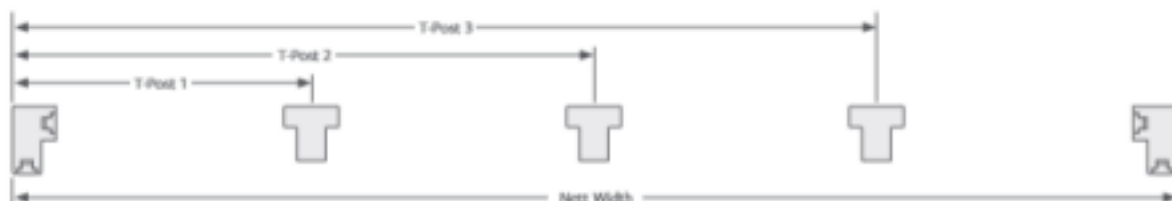
The size we will order the height at is: 1123mm. You now have the width and height measurements for the shutter.

Measuring for T-Posts

T-posts: Measure from the left-hand side to the middle of where you want the T-post to be positioned.

If more than one T-post is required, always measure from the far-left hand side to the middle of the T-post location.

Not available on deco frame due to blocking inward opening windows.



Measuring for Tilt, Midrail and Tier on Tier.

For either a Split Tilt, Midrail or the split between bottom and top panels on a Tier on Tier shutter the process is the same. That is, measure from the windowsill up to the point where you want:

- The split tilt to be
- Where you want the middle of the Midrail to be
- Where you want the separation between the bottom and top panels of the Tier on Tier shutter



SHUTTERSUFIT
MAKE A DIFFERENCE TO YOUR HOME